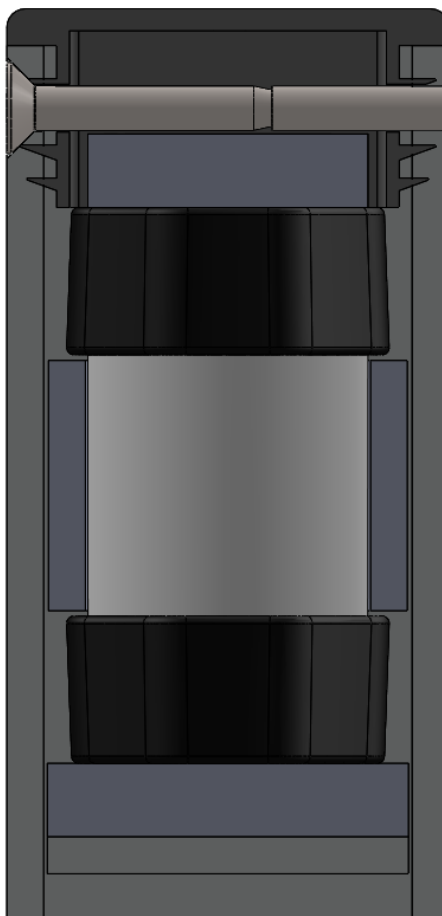


Mounting guide

NaBi Solo tamper proof, weldable robust steel enclosure



General Mechatronics Kft.

2021.01.14.

Annotation:

- 1.: weldable square tubing end cap
- 2;3;5.: spacer foam
- 6.: square tubing end cap plug
- 7.: tamper proof, countersunk head screw
- non marked parts: NaBi Solo device; steel square tube

Mounting guide:

- no. 1. Weld the weldable square tubing end cap to the square tube bottom.
- no. 2. Put the spacer foam onto the bottom of the square tube.
- no. 3. Put the spacer foam onto the NaBi Solo device's tube housing and put this assembly into the square tube.
- no. 5. Put the spacer foam onto the top of the NaBi Solo device.
- no. 6. Push the square tubing end cap plug into the square tube.
- no. 7. Apply threadlocking adhesive onto the tamper proof screw, then tighten the screw to make the steel enclosure tamper proof.

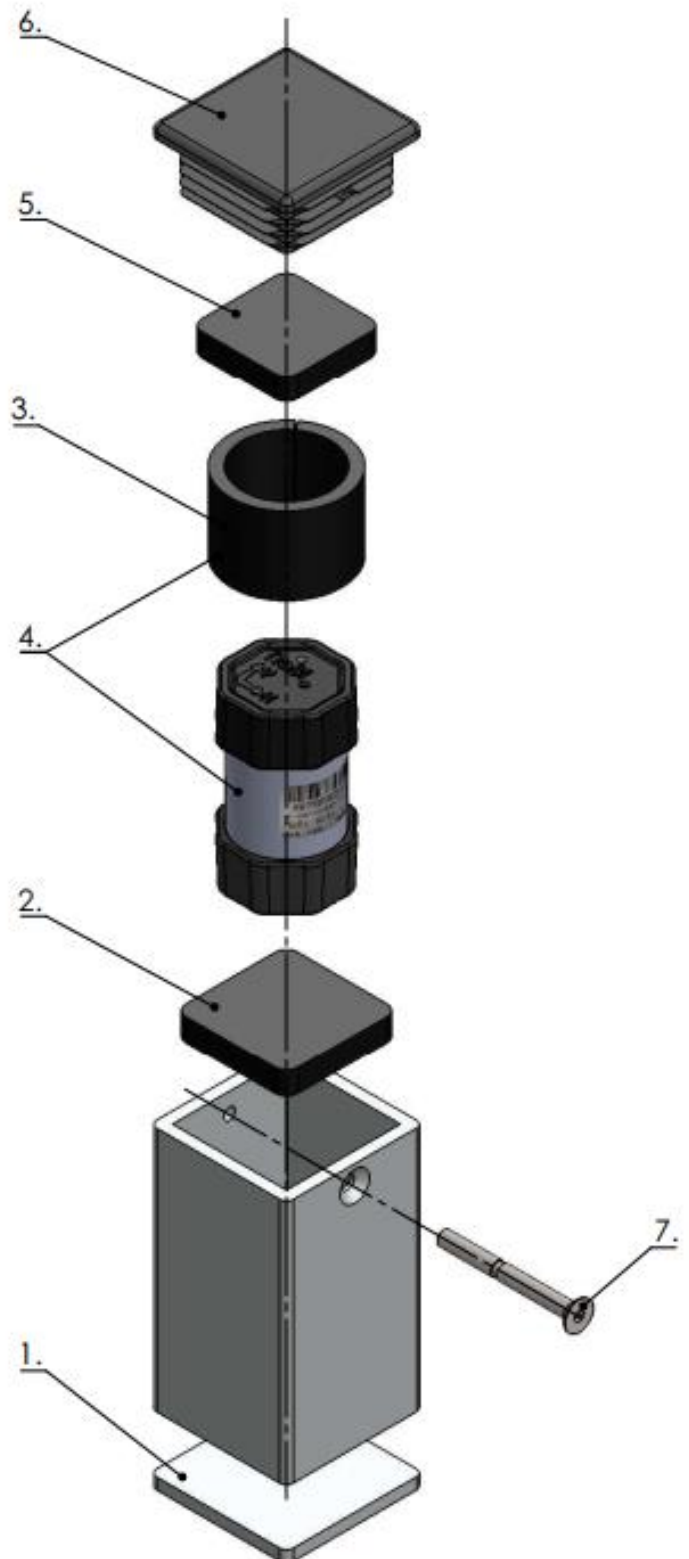
note: requires special head screwdriver



After assembling the tamper proof steel enclosure, apply it by welding the square tube to the desired location.

Optional stiffening ribs can be welded to the enclosure.

See the section view on the 1. page.



Parts list:

No.	Description	Dimension	Quantity (pcs)	Price	Reference
1	Steel square tube 60x60x4 mm	116,5 mm	1	0,89 EUR/ assembly	LINK
2	Weldable square tubing end cap (eg. flat steel bar)	51x51x4 mm	1	0,1 EUR/ assembly	LINK
3	Square tubing end cap plug	60x60x4 mm	1	0,25 EUR/ assembly	LINK
4	Spacer foam-1	51x51x10 mm	1	0,05 EUR/ assembly	LINK LINK
5	Spacer foam-2	38x38x10 mm	1		
6	Spacer foam-3	34x120x5 mm	1		
7	Tamper proof, countersunk head screw, stainless	M6x60	1	0,44 EUR/ assembly	LINK
8	Loctite 270 threadlocking adhesive	5 ml	1	5,22 EUR	LINK